

### KRV RELIEF VALVES

KRV series modular relief valves can control flow for positive direction pass oil port. Flow can be adjusted by handle. It passes to check valve for reverse flow.

#### Technical characteristics

Size	6	10	16
Max. Flow (L/min)	35	70	120
Max. W.P (Mpa)	31.5		
Working fluid	mineral oil ; phosphate-ester		
Fluid temperature (°C)	-20~70		
Viscosity (mm <sup>2</sup> /s)	12~380		

#### Ordering code

**KRV-06-P-1-3**

#### Modular relief Valve

NOMINAL SIZE: 06 Cetop 3 10 Cetop 5 16 cetop 7

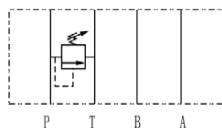
**P** P Pipeline relief    **A** A Pipeline relief

**B** B Pipeline relief    **W** AB Pipeline relief

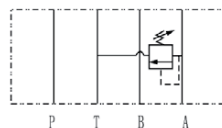
Adjustment type: 1:rotatory knob 2: sleeve with exagon

Setting pressure 5 to 50Mpa 1 to 10Mpa 2 to 20Mpa 3 to 31.5Mpa

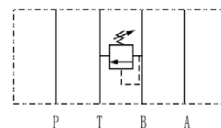
#### Code symbol



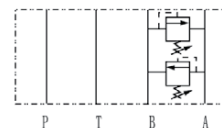
KRV-P



KRV-A



KRV-B

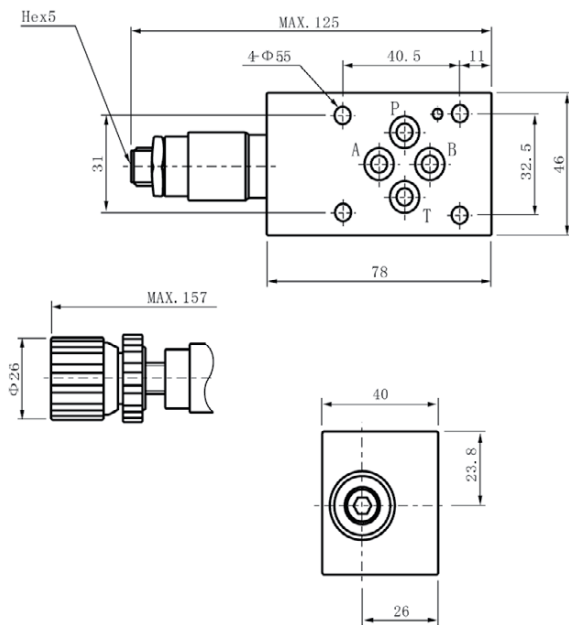


KRV-W

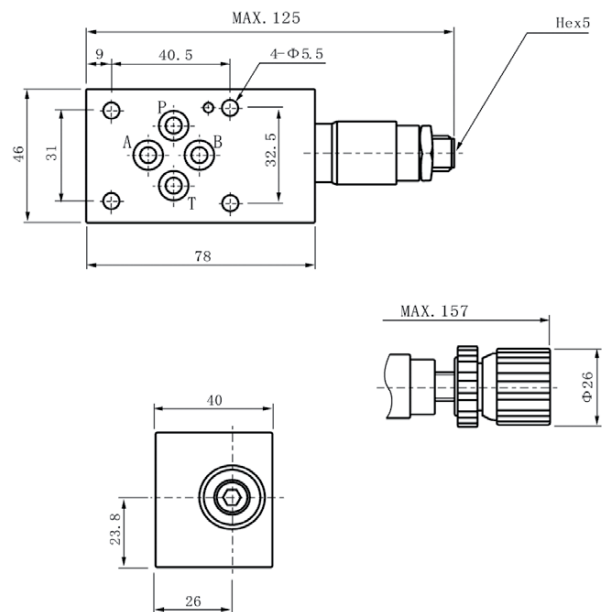
**KRV RELIEF VALVES**

**Dimensions**

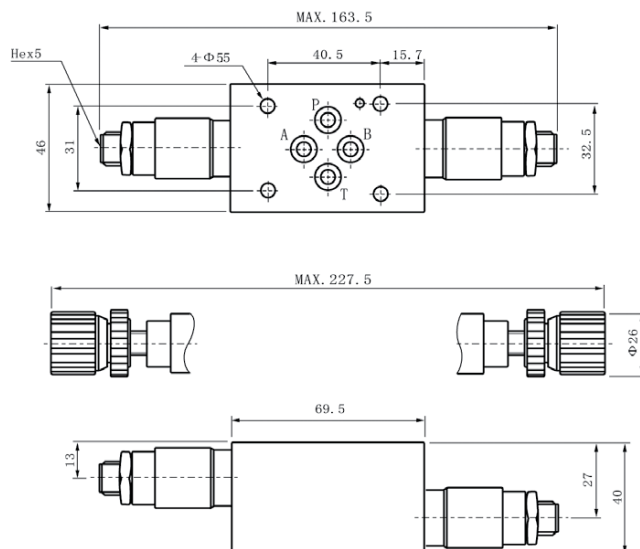
**KRV-06-A**



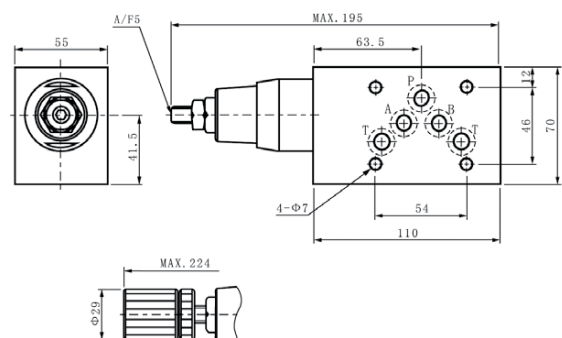
**KRV-06-B/P**



**KRV-06-W**



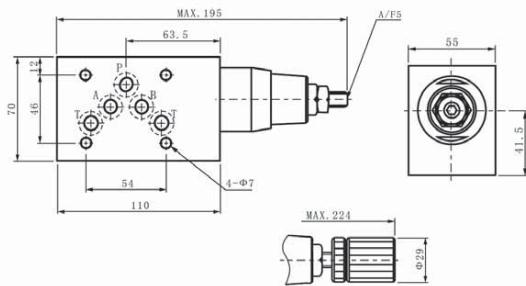
**KRV-10-A**



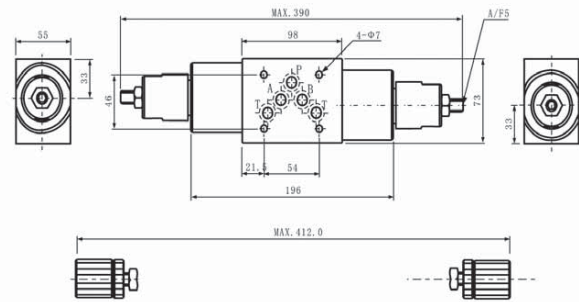
## KRV RELIEF VALVES

### Dimensions

KRV-10-B/P



KRV-10-W



KRV-16-P

